

Installation Instructions

Manual FlexShades by Draper

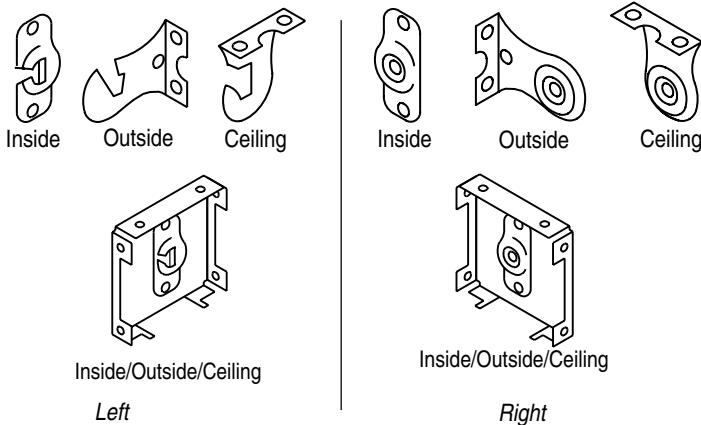
Caution

- ① Inspect all boxes to make sure you have received the proper shades and parts.
- ② Open cartons lengthwise.
- ③ All brackets, fascia, headboxes, pockets, wall clips, and other hardware must be installed level. Shades must be level and square.
- ④ Please follow installation guidelines carefully. Failure to do so invalidates warranty.

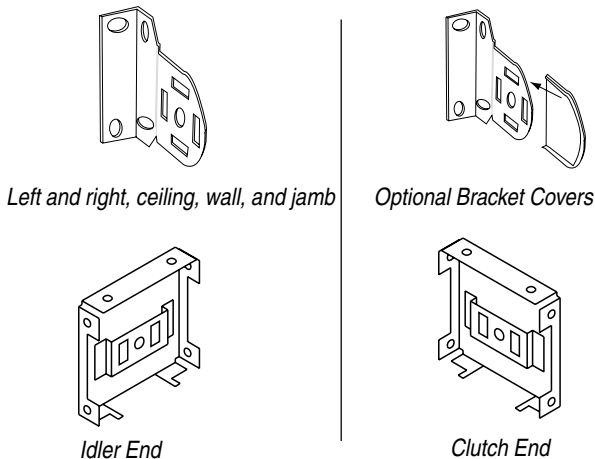
Mounting Brackets or Endcaps

- ① Mark wall, jamb or ceiling for placement of mounting brackets.
- ② Drill small starter hole (if necessary) in mounting surface.
- ③ Mount brackets using appropriate fasteners for surface (see Fig. 1 for bracket/endcap types).

Spring Roller Brackets/Endcaps



Bead Chain Brackets/Endcaps



Crank Endcaps

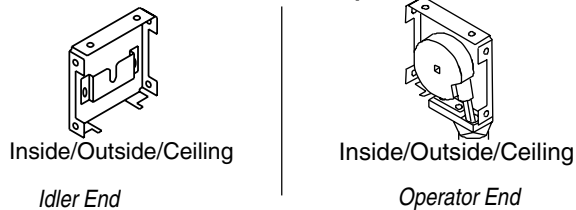


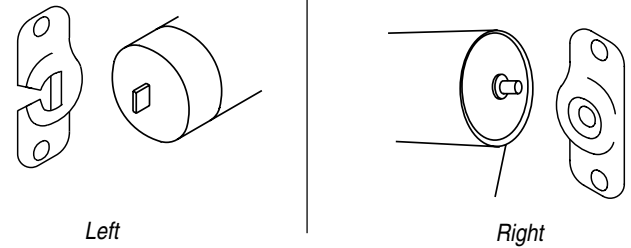
Figure 1

Shade Installation

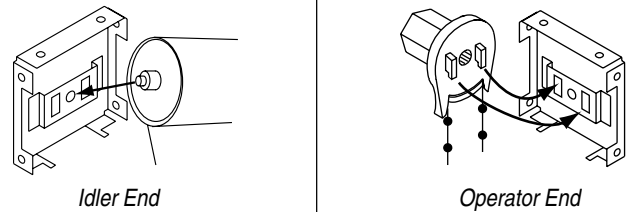
Note: See Figure 2 below for specific operators.

- ① Place operator end onto its bracket.
 - ② For bead chain, place spring-loaded pin into bracket, carefully depress pin by pushing the shade roller toward left bracket, slip notches on operator end into right bracket, then press down to lock in place. For cranks, place operator end first, then slide notched pin end into slot. For spring roller, place right (pin) end into bracket, then rotate spar end into left bracket.
- Please Note: If shade fabric is uneven, lower as far as possible without exposing roller, and place a piece of masking tape on side that is running low.

Spring Roller



Bead Chain Clutch



Crank

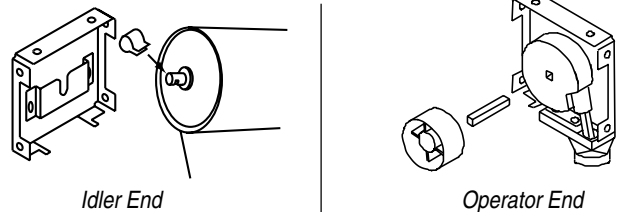


Figure 2

Coupler

- ① Mount brackets/endcaps (see "Mounting Brackets and Endcaps" above).
 - ② Attach operator end of first shade to the bracket and insert coupling into other end roller.
- NOTE: Couplers are designed with fins, which slide into the slot in the fabric roller, locking them in place (see Fig. 3).
- ③ Slide bearing bracket onto coupler, and mount bearing bracket.
- NOTE: Mount so shades will be level.

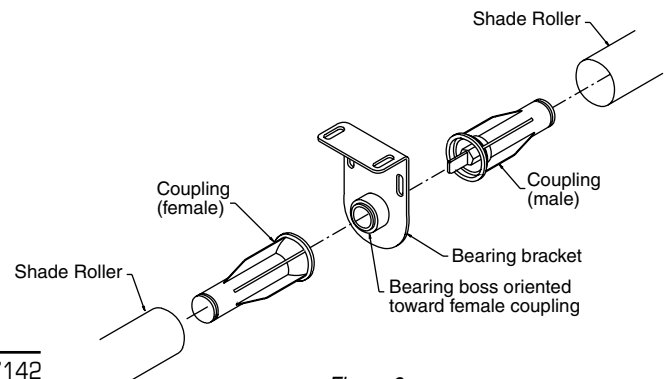


Figure 3

DRAPER

- ④ Install next shade by inserting coupling into shade, then into bearing bracket. NOTE: Make sure coupling connects with other shade. If there is more than one coupler, repeat.
- ⑤ Attach final shade's idler end to end bracket.

Fascia

- ① Place groove along top of fascia over endcaps, and snap into place (see Fig. 4).

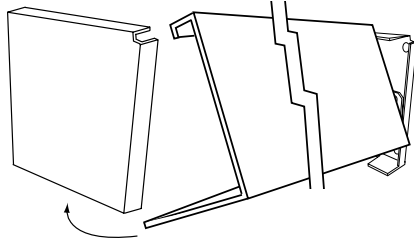


Figure 4

Type "D" Pockets

- ① Drill holes through pocket for wall or ceiling mount. Attach using appropriate fasteners.
 - ② Attach brackets (if necessary) according to installation: wall, jamb, or ceiling (see "Mounting Brackets or Endcaps" section).
 - ③ Install roller assembly (see "Shade Assembly" section).
 - ④ Put removable closure in place (see Fig 5).
- NOTE: For bead-chain clutch operator, make sure chain is routed through chain exit guides.

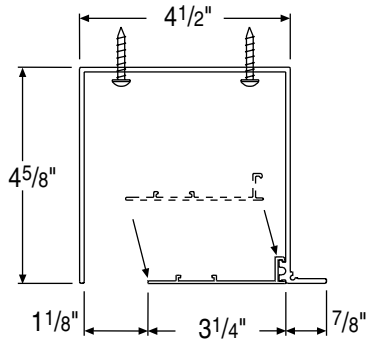
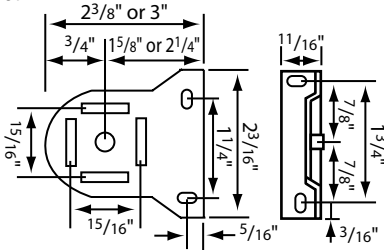


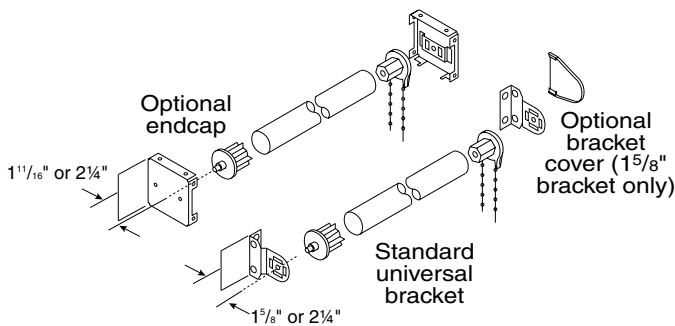
Figure 5

Dimensions

Bead Chain Bracket



Bead Chain Endcap



Wall Clips & Closure

- ① Install roller assembly mounting brackets or endcaps (see steps under "Mounting Brackets or Endcaps").
- ② Drill holes and attach clips for removable closure panel.
- ③ Install roller assembly.
- ④ Place removable ceiling closure in groove (see Fig. 6).

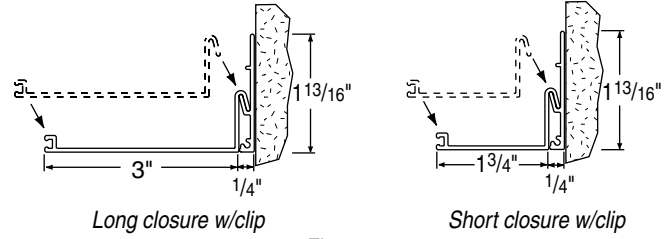


Figure 6

Headbox

- ① If the shade has a detachable crank handle, remove the universal joint and shaft/bracket assembly by removing two screws from the bottom of the endcap (Fig. 7). Save universal joint & screws.

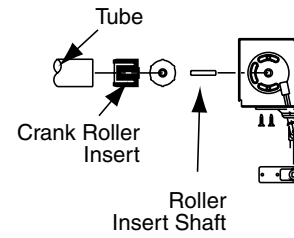


Figure 7

- ② Remove face cover from head box by pulling down and out on the bottom edge of cover near end caps. It will snap off (see Fig. 8). For pocket style headbox, remove screws at endcaps. The bottom of the cover box snaps down and off at endcaps, then slides out of slot in cover box (see Fig. 8).

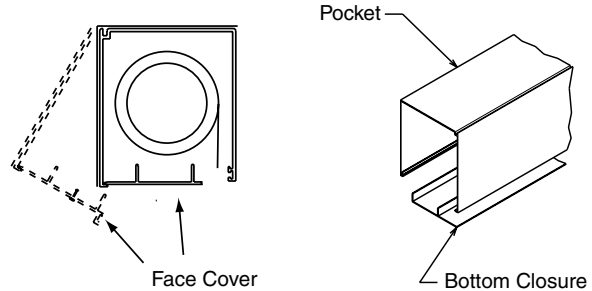


Figure 8

- ③ Remove roller assembly from headbox. Remove the black plastic retainer clip from idler end of roller and save. Lift idler out of the bracket and slide pin (to the limit of its travel) into the gudgeon assembly to facilitate removal of the roller assembly. Remove the roller assembly from the headbox.
- ④ Install head box assembly using appropriate fasteners. For wall/ceiling mount, used pre-drilled holes in end caps, then drill through cover for wall/ceiling mount. For jamb mount, there are no pre-drilled holes. Drill through endcaps and attach. Replace roller and face cover. (For Bead Chain, make sure chain passes through exit slots and attach stop balls to set limits).